

Attachment I

Cease-fire Agreement

I. DEFINITION AND GENERAL PRINCIPLES

1. The cease-fire consists of the cessation of hostilities between the Government of the People's Republic of Angola and UNITA with a view to attaining peace throughout the national territory.
2. The cease-fire must be total and definitive throughout the national territory.
3. The cease-fire must guarantee the free circulation of persons and goods throughout the national territory.
4. Overall supervision of the cease-fire will be the responsibility of the Government of the People's Republic of Angola and UNITA acting within the framework of the Joint Political-Military Commission (Comissão Conjunta Político-Militar (CCPM)) created pursuant to the annex to the document entitled "Fundamental Principles for the Establishment of Peace in Angola". The United Nations will be invited to send monitors to support the Angolan parties, at the request of the Government of the People's Republic of Angola.
5. The cease-fire includes the cessation of all hostile propaganda between the Government of the People's Republic of Angola and UNITA at both the domestic and international levels.
6. After its entry into force, the cease-fire will obligate the Government of the People's Republic of Angola and UNITA to refrain from acquiring lethal material. The United States and the Union of Soviet Socialist Republics informed the Government of the People's Republic of Angola that they will support implementation of the cease-fire by ceasing to supply lethal material to any Angolan party and encouraging other countries to act in a similar fashion.

II. ENTRY INTO FORCE OF THE CEASE-FIRE

1. Full entry into force of the cease-fire entails strict observance of the commitments assumed by the Government of the People's Republic of Angola and UNITA as well as of the decisions made by bodies having the authority to verify and monitor the cease-fire.
2. Observance of the cease-fire shall not endanger logistical supplies of non-lethal material for the military forces present [in the area].
3. The cease-fire entails the release of all civilian and military prisoners who were detained as a consequence of the conflict between the Government of

the People's Republic of Angola and UNITA. Verification of such release will be performed by the International Committee of the Red Cross.

4. The cease-fire applies to all foreign forces present in Angolan territory.

5. Entry into force of the cease-fire shall not endanger the sovereignty and territorial integrity of Angola.

6. The cease-fire will, beginning on the date and time agreed upon for its entry into force, entail the cessation of:

(a) All armed air, land or sea attacks, as well as all actions of sabotage;

(b) All offensive movement of troops or armed groups;

(c) Attempts to occupy new ground positions and the movement of military forces and resources from one area to another without prior agreement between the parties;

(d) All military manoeuvres aimed at installing weapons with the capability to endanger the safety of settlements and the economic, administrative and military infrastructures;

(e) Patrol activities outside the areas to be demarcated around the areas of assembly for the troops of the Government of the People's Republic of Angola and UNITA;

(f) All acts of violence against the civilian population;

(g) The planting of new mines and actions aimed at impeding activities to deactivate mines;

(h) Unjustified restrictions or impediments on the free circulation of persons and goods;

(i) Any other actions that may impede the normal evolution of the cease-fire process;

(j) Receipt of lethal material, regardless of its origin.

7. Failure to observe any of the provisions set forth above constitutes a violation of the cease-fire, without prejudice to decisions made by the verification and monitoring groups in the performance of their duties.

III. VERIFICATION AND MONITORING

1. Prior to entry into force of the cease-fire, a Joint Verification and Monitoring Commission (Comissão Mista de Verificação (CMVF)) will be formed. It will be composed of representatives of the Government of the People's Republic of Angola and UNITA, as members, and of representatives of Portugal, the United States of America, and the Union of Soviet Socialist Republics, as observers. In addition, a United Nations representative will be invited to the CMVF meetings.
2. CMVF will report to the Joint Political-Military Commission (CCPM).
3. CMVF will have the authority to create any structures it considers appropriate for the performance of its duties, namely the monitoring groups necessary for full observance of the cease-fire throughout Angolan territory. Such groups shall be subordinate to CMVF.
4. The monitoring groups, which will be established before entry into force of the cease-fire, will be composed of an equal number of representatives from the Government of the People's Republic of Angola and UNITA.
5. United Nations personnel, who will have their own command structure, will verify whether the monitoring groups are assuming their responsibilities. This will include United Nations support in the investigation and resolution of alleged cease-fire violations. The Governments that will be sending United Nations monitors will be selected with the participation of the Government of the People's Republic of Angola and UNITA, working within the framework of CCPM.
6. The bodies and mechanisms created to verify and monitor the cease-fire will be temporary in nature and will cease to exist at the end of the cease-fire [period].
7. Other provisions with respect to verification and monitoring of the cease-fire are set forth in annex I to this agreement.

IV. REGULATING THE VERIFICATION AND MONITORING MEASURES

1. CMVF will have the authority necessary to ensure the effective observance of the cease-fire. Particularly, it shall familiarize itself with the areas of troop assembly, monitor compliance with the rules of conduct previously agreed on for the troops in the areas of assembly, coordinate the activity of the monitoring groups, and rule on the complaints and claims presented in relation to possible violations of the cease-fire.
2. CMVF will decide on its own regulations, and also has the authority to define the functions and approve the regulations of such monitoring groups as it may establish.

3. The monitoring groups will make "on site" verifications of observance of the cease-fire. Specifically, they are to prevent, verify and investigate possible violations.

V. TIMETABLE OF THE CEASE-FIRE

1 May - Initialling of the Accord

By midnight on 15 May - Notification to be sent to the Portuguese Government of acceptance by the parties.

Midnight 15 May - "de facto" suspension of hostilities.

- 29-31 May (a) Signature and entry into force of the cease-fire agreement;
(b) CCPM and CMVF take office;
(c) The monitoring groups begin to travel to the pre-determined sites;
(d) Beginning of the United Nations verification operations.
- 15 June (a) Completion of the establishment of the monitoring groups at the pre-determined sites, and notification to CMVF that they are operational;
(b) The monitoring system begins to function.
- By 30 June Completion of installation of the United Nations verification system.
- 1 July Forces begin to move to the areas of assembly. The verification and monitoring groups must be notified in advance of each movement of forces.
- 1 August Completion of the movement of forces to the areas of assembly.
- On the date of the elections Completion of the cease-fire process and abolition of the verification and monitoring bodies.

Note. The sequence of tasks to be performed during the different phases of the cease-fire appears in annex II.

Annex I

Verification and monitoring of the cease-fire

The Government of the People's Republic of Angola and UNITA hereby agree to the following provisions regarding the verification and monitoring of the cease-fire:

A. THE CMVF MANDATE AND REGULATIONS

1. The Joint Verification and Monitoring Commission (CMVF) is the entity responsible for the implementation and functioning of the mechanisms instituted to verify and exercise control over the cease-fire, provided for in the documents signed on this subject. Particularly, it is responsible for:

(a) Verifying that the monitoring groups necessary for full observance of the cease-fire throughout the national territory have been established. These groups shall be subordinate to CMVF;

(b) Establishing the needed coordination with the special bodies in the United Nations system of cease-fire verification;

(c) Becoming familiar with the troop assembly areas;

(d) Checking that the rules of conduct agreed upon in advance for the troops in their areas of assembly are being observed;

(e) Ruling on any complaints and claims presented to it regarding possible violations of the cease-fire;

(f) Defining the specific sphere of authority of the monitoring groups, approving the regulations for those groups, and coordinating their activities;

(g) Analysing and discussing the periodic reports that the monitoring groups are required to send to it, through the regional monitoring groups, concerning the manner in which the measures implementing the cease-fire are being applied within their area of jurisdiction;

(h) Adopting such mechanisms as may be considered necessary to the exercise of its functions, including the creation of ad hoc investigative commissions that may travel to the site of the possible violations;

(i) Verifying the observance by both parties of the principle that their paramilitary or militarized forces have been demobilized or integrated into the respective regular military forces.

2. CMVF shall be composed of representatives of the Government of the People's Republic of Angola and of UNITA as members, and by representatives of Portugal, the United States and the Soviet Union as observers.

3. A representative of the United Nations shall also be invited to participate in the meetings of CMVF.
4. The meetings of CMVF shall be presided over, alternately in accordance with the principle of rotation, by the Government of the People's Republic of Angola and by UNITA, without prejudice to the principle of consensus in the decision-making process.
5. CMVF, with headquarters at Luanda, shall have a delegation at Jamba.
6. CMVF shall meet in ordinary session at least three times a week for the purposes of part (g) of No. 2 [sic], and in special session whenever any of the parties requests that it be convened to analyse possible violations of the cease-fire.
7. The decisions of CMVF shall be made by consensus between the Government of the People's Republic of Angola and UNITA.
8. The decisions of CMVF shall be binding in nature, and the parties shall take all measures necessary to execute them.
9. It is mandatory that the Joint Political-Military Commission (CCPM) be notified of decisions reached by CMVF on non-procedural matters. CCPM may request such clarifications as it deems appropriate regarding those decisions.
10. In the event that CMVF does not reach a decision, or that CCPM objects to that decision, the final decision shall rest with the latter body.
11. Minutes of the CMVF meetings shall always be prepared, and signed by the representatives of the parties.
12. The decisions of CMVF shall be confidential in nature, unless CMVF itself or CCPM decides otherwise.
13. CMVF shall cease functioning at the end of the cease-fire.

B. THE VERIFICATION AND MONITORING SYSTEM

1. On-site monitoring of the cease-fire is assured by the Government of the People's Republic of Angola and by UNITA, through monitoring groups subordinate to CMVF that are to be composed of 8 to 12 individuals from each party, in accordance with the organizational chart that appears in appendix 1.
2. There will be monitoring groups at all the sites indicated in appendices 2 and 3. Additional monitoring groups may be created, to be directly subordinate to CMVF and the regional monitoring groups.
3. Liaison between CMVF and the monitoring groups is assured by the regional monitoring groups, for which purpose the territory of Angola shall be divided into the following regions and subregions:

- Northern Region (with headquarters at Luanda), with two subgroups located at Negage and Cabinda;
- Northeastern Region (with headquarters at Saurimo);
- Central Region (with headquarters at Huambo), with two subgroups located at Lobito and Huambo;
- Eastern Region (with headquarters at Luena);
- Southeastern Region (with headquarters at Mavinga);
- Southern Region (with headquarters at Lubango).

4. United Nations personnel, who will have their own command structure, will verify whether the monitoring groups are assuming their responsibilities. This will include United Nations support in the investigation and resolution of alleged cease-fire violations.

5. Coordination with the United Nations verification and monitoring system shall be arranged at all levels of the existing administrative structures.

6. The security of the monitoring groups and all United Nations personnel shall be the responsibility of the party that controls the zone where they are present.

7. The commanders of the areas of assembly shall provide all support requested of them by the cease-fire verification and monitoring bodies and by the United Nations.

8. The cease-fire monitoring and verification bodies shall enjoy complete freedom of movement in carrying out their duties.

9. Every member of the cease-fire monitoring and verification bodies shall display a badge and a credential that easily identifies him, and shall travel unarmed.

C. THE AREAS OF ASSEMBLY

1. All the armed forces shall be assembled 60 days following the entry into force of the cease-fire, in the areas specified in appendix 2. In so far as possible, those areas shall be situated away from major population centres.

2. An organic unit, with its allotment of personnel and materials, shall be situated in each area of assembly.

3. Each area of assembly shall have a contingent of troops numbering at least 100 men.

4. The areas of assembly shall be surrounded by security zones having a maximum radius of 10 kilometres. The parties shall notify the monitoring groups as to the distance they are actually adopting for each of those areas.

5. Within the respective areas of assembly, the forces of both parties shall fully respect the rules of conduct contained in appendix 4.

D. SUPPLIES

1. Supplies for the areas of assembly of each of the parties are to be inspected.

2. Each party shall ensure the logistics of its own forces in the initial phase, although they may coordinate the respective actions. In the second phase, that of the formation of the Angolan armed forces, the supply process shall be joint. The responsibility for providing logistical support to those troops that are not integrated into the Angolan armed forces shall rest with each of the parties until those troops have been demobilized.

3. CMVF shall decide on the modes of notification or determination of the logistical itineraries.

E. BORDER POSTS

1. Border control posts shall be created, and staffed jointly as indicated in appendix 5.

2. Each party may assign forces to these posts in numbers not to exceed the equivalent of a platoon (of 30 men) and shall be free to determine the nature of those forces.

F. PARAMILITARY FORCES

1. The paramilitary or militarized forces of both parties shall have been demobilized or integrated into the respective regular military forces by the time the cease-fire enters into force.

2. It shall be the responsibility of CMVF to verify the observance of the principle set forth in the previous provision.

G. INFORMATION OF A MILITARY NATURE

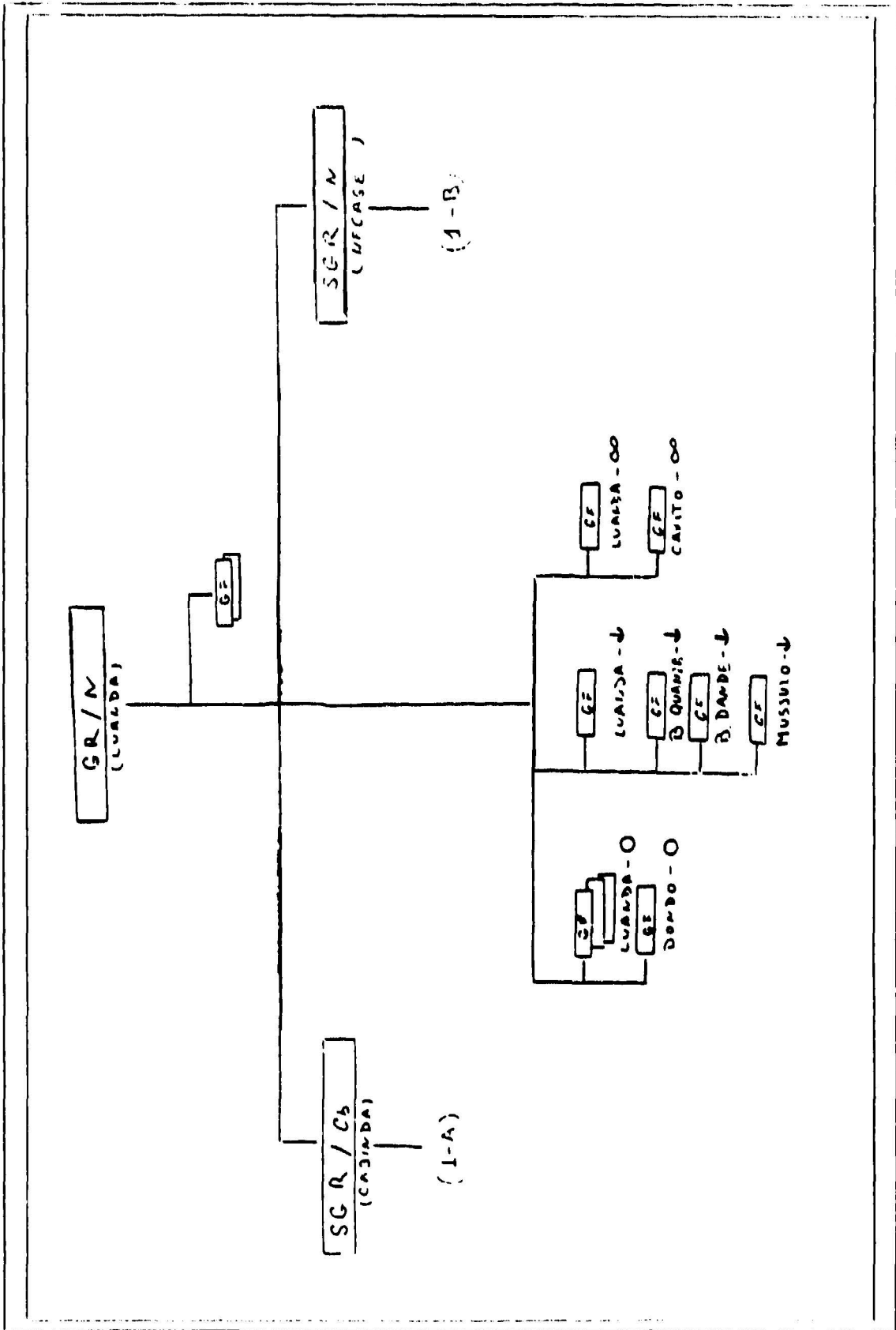
Between the signature of the cease-fire and the beginning of the monitoring thereof, both parties shall exchange, within the framework of CMVF, the military information contained in appendix 6.

H. CHEMICAL WEAPONS ARSENAL

After entry into force of the cease-fire, the parties agree to conduct investigations to determine whether this type of material exists, or ever did exist and was used.

Appendix 1

Monitoring system, organizational charts



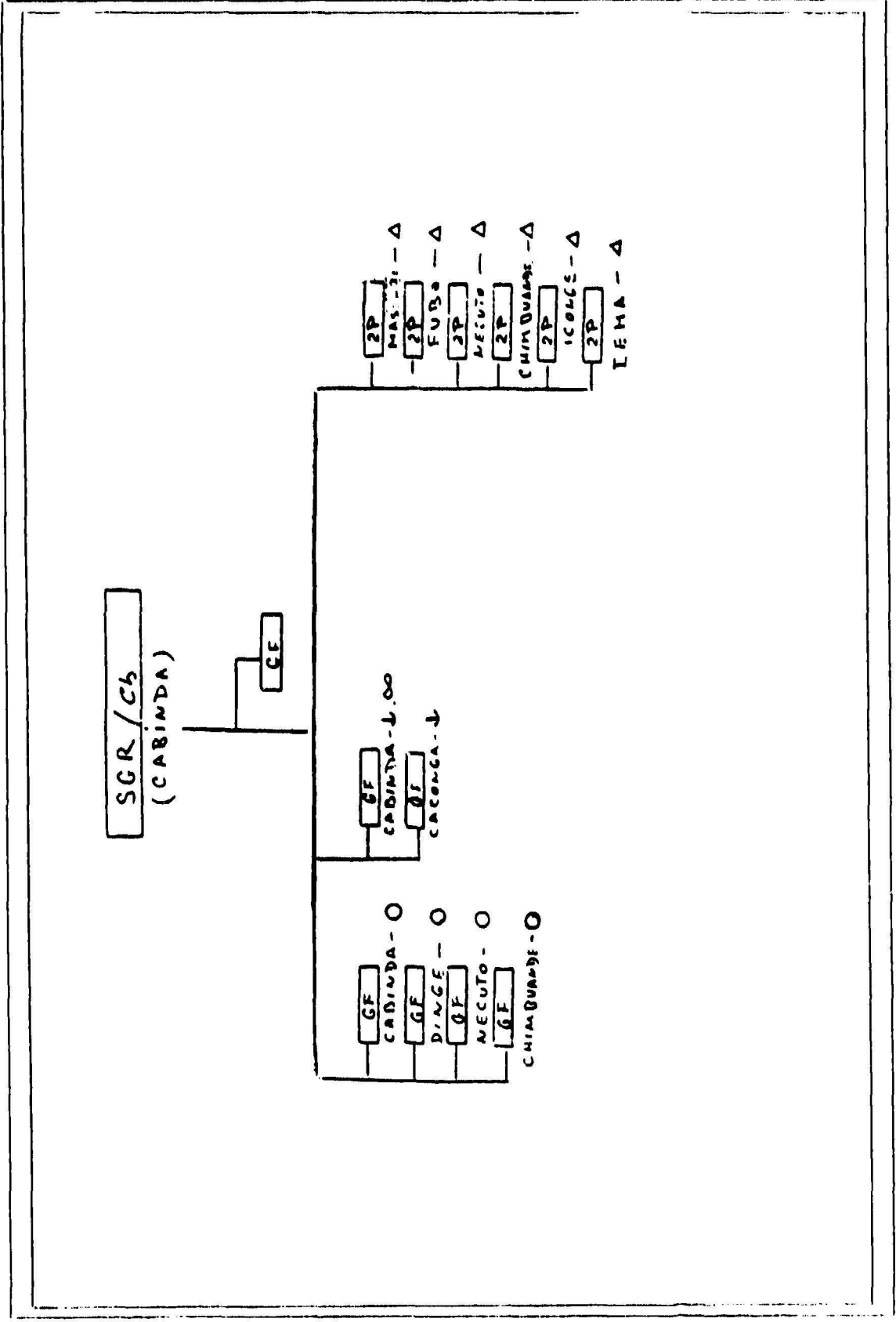
SGR/C6
(CABINDA)

GF

GF CABINDA - O
D'ANGE - O
AECUTO - O
CHIMBUARDE - O

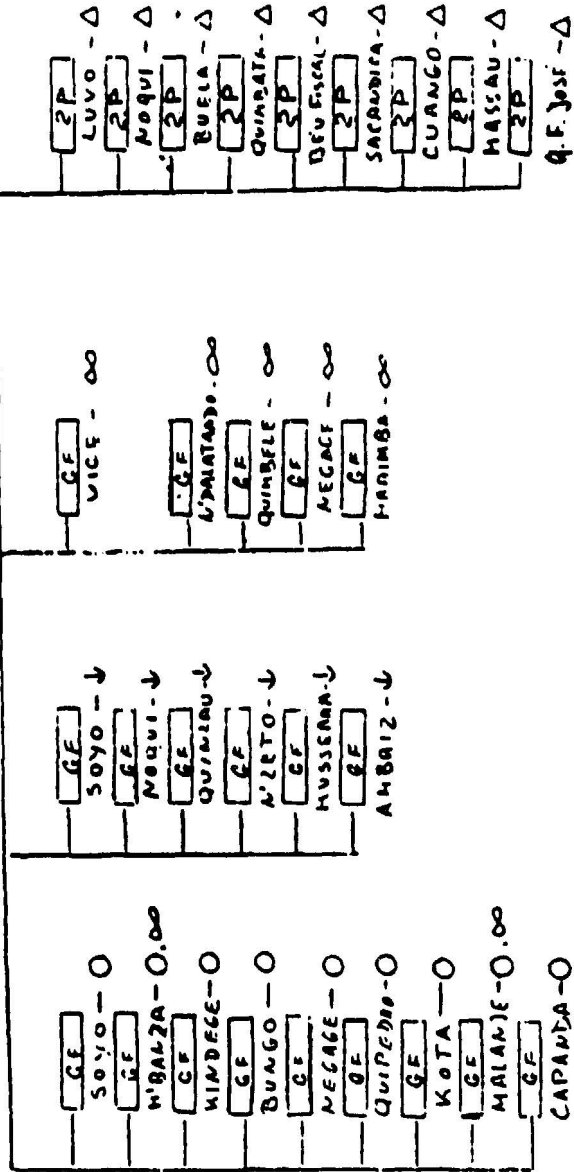
GF CABINDA - J.00
CACONGA - J

2P MAS - 31 - Δ
2P FUBA - Δ
2P AECUTO - Δ
2P CHIMBUARDE - Δ
2P COLCE - Δ
2P IEHA - Δ



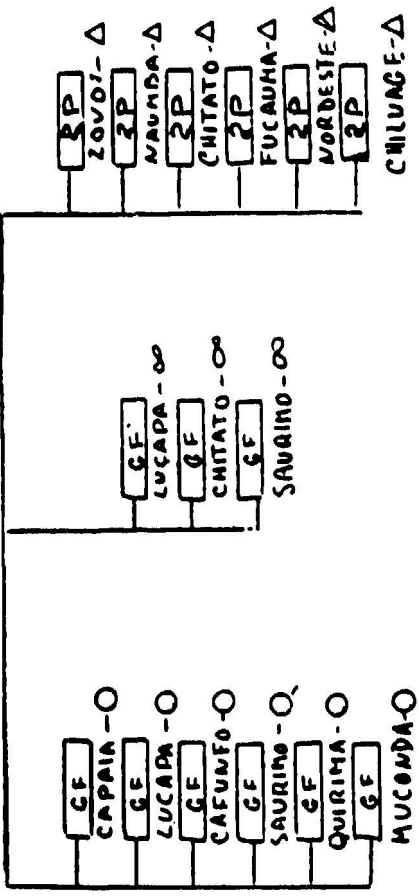
SGR / A
(MEGAGE)

CF



GR / NL
(SAURIMO)

GF



GR / C
(HUABO)

GF

SGR / 25
(LOBITO)

GF

GF
LOBITO - O
GF
QUIBOLA - O
GF
BANTA - O
GF
CHIQUITE - O

GF
LOBITO - ↓
GF
C LOBO - ↓
GF
PAMBAN - ↓
GF
SUMBE - ↓
GF
EGIPTO P. - ↓
GF
B TARIA - ↓

GF
LOBITO - ∞
GF
CATUMBERIA - ∞

SGR / H
(HUABO)

GF

GF
SAMDOO
GF
CAMBAMBO
GF
ABDULO
GF
DAILUNDOO
GF
GOVE - O
GF
MUSSENDO S. QUANTA - O

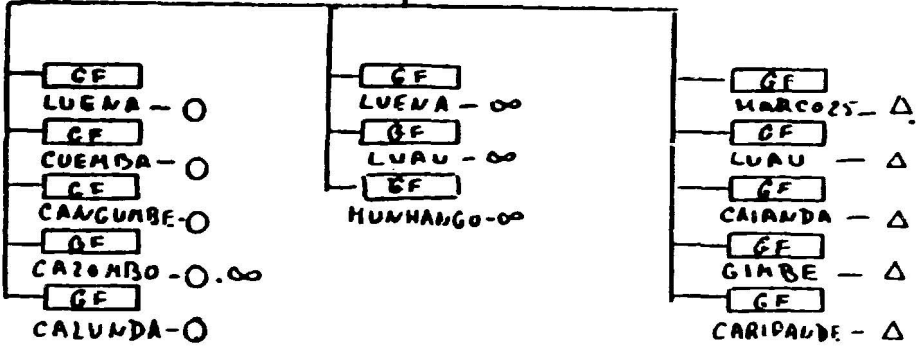
GF
HUABO - O
GF
BIE - O
GF
MHAREA - O
GF
LUNGE - O
GF
CHIPINDOO
GF

GF
HUABO - ∞
GF
BIE - ∞

GR / L

(LUENA)

GF



GR/S
(LUBANGO)

EF

EF
NAMIBE - 0
EF
LUBANGO - 0
EF
MATALA - 0
EF
HENONQUE - 0.00
EF
CAHAMA - 0.00
EF
MUCUIB - 0

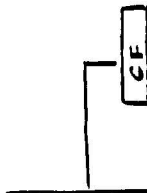
EF
NAMIBE ↓.00
EF
BATIABA ↓
EF
B. TIGRESS ↓
EF
TOMBUAR ↓

EF
N'GIVA - 00
EF
LUBANGO - 00
EF
3 CASSINGA - 0

EF
F. CULENE - Δ
EF
CHITABO - Δ
EF
OTCHICANGU - Δ

CR / SL

(NAVIAGA)



- 2P : MUSSINA - Δ
- 2P : MUCUSIO - Δ
- 2P : PUABUATA - Δ
- 2P : CALAI - Δ
- 2P : DIRICO - Δ
- 2P : CUANGAR - Δ
- 2P : RIVUNGO - Δ

- CF : CANGARA - ∞
- CF : L. AGUINO - ∞
- CF : LICUA - ∞
- CF : JAMBA - ∞

- CF : C. GUANAVALE
- CF : NAVIAGA

0. ∞

0

Key

CCPM	Comissão Conjunta Político-Militar [Joint Political-Military Commission]
CMVF	Comissão Mista de Verificação e Fiscalização [Joint Verification and Monitoring Commission]
Gr Ligação	Liaison Group
Gr	Regional group
SGR	Regional subgroup
GF	Grupo de Fiscalização [Monitoring Group]
P	Platoon
○	Troop assembly area
↓	Ports (civilian or military)
∞	Airports or airstrips (civilian or military)
△	Border post

Appendix 2

Areas of assembly

<u>Locality</u>	<u>Government</u>	<u>UNITA</u>
1. Cabinda	*	
2. Dinge	*	
3. Negage	*	
4. Luanda	*	
5. Capanda	*	
6. Malange	*	
7. Dondo	*	
8. Soyo	*	
9. Luena	*	
10. Cazombo	*	
11. Saurimo	*	
12. Cafunfo	*	
13. Lucapa	*	
14. Huambo	*	
15. Lobito	*	
16. Bié	*	
17. Quibala	*	
18. Andulo	*	
19. Bailundo	*	
20. N'Gove	*	
21. Menongue	*	
22. Cahama	*	
23. Matala	*	
24. Cuito Cuanavale	*	
25. Namibe	*	
26. M'Banza Congo	*	
27. Lubango	*	
28. Chimbuande		*
29. Necutu		*
30. Quipedro		*
31. Kota		*
32. Kindenge		*
33. Bungo		*
34. Banja		*
35. Cambandua		*
36. Sambo		*
37. Lunge		*
38. Mussende		*
39. Nharea		*
40. Soma Kuanza		*
41. Chipindo		*
42. Chiquite		*
43. Mucuío		*

<u>Locality</u>	<u>Government</u>	<u>UNITA</u>
44. Cuemba		*
45. Quirima		*
46. Capaia		*
47. Calunda		*
48. Cangumbe		*
49. Muconda		*
50. Mavinga		*

Appendix 3

Airports and ports

Airports

1. Cabinda
2. Negage
3. Luanda
4. Malange
5. Luena
6. Cazombo
7. Saurimo
8. Lucapa
9. Huambo
10. Lobito
11. Caxito
12. Bié
13. Menongue
14. Cahama
15. Cuito Canavale
16. Namibe
17. M'Banza Congo
18. Lubango
19. Chitato
20. Luau
21. Uige
22. Ndalatando
23. Catumbela
24. Jamba Cassinga
25. N'Giva
26. Jamba
27. Licua
28. Lumbala Nguimbo
29. Cangamba
30. Munhango
31. Quimbele
32. Marimba

Ports

1. Cabinda
2. Luanda
3. Soyo
4. Lobito
5. Namibe
6. Noqui
7. Cancongo
8. Quinzau
9. N'Zeto
10. Musserra
11. Ambriz
12. Barra do Dande
13. Mussulo
14. Barra do Kuanza
15. Cabo Ledo
16. Porto Amboim
17. Sumbe
18. Baia Farta
19. Tombua
20. Baia dos Tigres
21. Egipto Praia
22. Bentiaba

Appendix 4

Rules of conduct for the troops in the areas of assembly

1. Command and liaison

(a) Each area of assembly shall have a military commander designated by the respective party;

(b) The military commander, regardless of the command structure to which he is subordinate, is responsible to the cease-fire monitoring bodies with regard to the following:

- Observance of the cease-fire agreements by the troops;
- Observance of directives and orders from the CCPM and the CMVF;
- Control of the armaments, ammunitions, and other matériel belonging to the units stationed in the area of assembly;

(c) The military commander is to establish liaison with the command to which he is subordinate and with the cease-fire monitoring bodies responsible for his area of assembly.

2. Opening and closing an area of assembly

(a) An area of assembly is to be opened and subject to these rules as of the date when the cease-fire enters into force, or as of the date the first military unit arrives in the area;

(b) The military commander is to send daily situation reports to the cease-fire monitoring bodies, specifying the personnel, matériel, and munitions on hand in the area and describing the pertinent activities, following a model to be defined by CMVF;

(c) An assembly area is to be closed prior to the date of the general elections and as soon as all the personnel, matériel, and munitions have received a final destination.

3. Activities of the troops

(a) No military person or civilian may leave the security perimeter of the area of assembly with weapons or munitions, unless he has received an order to that effect from the cease-fire verification and monitoring bodies;

(b) Individual units may leave the area of assembly only with the approval of the cease-fire verification and monitoring bodies;

(c) Individual members of the military may leave their area of assembly only with the authorization of the military commander of the area and with the knowledge of the cease-fire verification and monitoring bodies;

(c) [sic] The troops may engage in the following activities while in the areas of assembly:

- Military training according to programmes approved by the military commander of the area and cleared by the cease-fire verification and monitoring bodies;
- Resupply of foodstuffs, fuels and lubricants;
- Matériel maintenance and repair;
- Improvements to the infrastructure, and deactivation of mines in their area of assembly;
- Cultural and recreational activities.

(d) [sic] Troops present in the areas of assembly may not take an active part in partisan political and union activities.

4. Troop security

(a) The military units stationed in each area of assembly are to ensure their own local security;

(b) The security of each area of assembly is to be agreed upon between its military commander and the cease-fire verification and monitoring body responsible for the area.

5. Custody of the weapons and munitions

(a) In each area of assembly, the armaments and the munitions shall be gathered at collection points, warehouses, sheds and fields that are adequately controlled and guarded and subject to inspection by the cease-fire verification and monitoring bodies;

(b) Only those individual weapons and munitions necessary for local security services, in accordance with the provision of 4 (b) above, may be distributed to the personnel;

(c) Personnel shall be permitted access to the armaments in accordance with the maintenance and training programmes approved by the military commander and cleared by the cease-fire verification and monitoring bodies;

(d) The provision in No. 7 constitutes an exception to parts (a), (b) and (c).

6. Procedure to be followed in the event of incident or cease-fire violation

(a) The commanders of each echelon shall take immediate measures with their troops to quell any incident or violation;

(b) A commander who learns of any incident or violation is to warn the responsible party(ies) immediately and, if they belong to his unit, to take the appropriate disciplinary measures;

(c) The cease-fire verification and monitoring organs for the area are to be notified of every incident or violation, and it is their duty to determine responsibilities;

(d) The military commander also is to report every incident or violation to the next higher echelon in his chain of command;

(e) In the event of an incident or violation, the unit shall refrain from retaliation and shall exert efforts to prevent an escalation;

(f) Without prejudice to the disciplinary measures mentioned in 6 (b) above, the responsible parties and perpetrators of incidents or violations are to be subject to sanctions applied by CMVF.

7. Final destination of the troops and matériel in the areas of assembly

(a) The troops in each area of assembly shall either be moved to training centres with a view to the formation of the Angolan armed forces, or shall be demobilized;

(b) The armaments, munitions and remaining matériel belonging to the units in each area of assembly are either to be moved to the training centres set up with a view to the formation of the Angolan Armed Forces, or delivered to warehouses. No demobilized individual shall be permitted to take any article of military matériel with him;

(c) The operations referred to in (a) and (b) shall be carried out in accordance with rules, directives and orders from CCPM and the Joint Commission for the Formation of the Armed Forces (CCFA), transmitted via the cease-fire verification and monitoring bodies and under the control thereof;

(d) The commander of each area of assembly is to notify the higher echelon to which he is subordinate of any movements of personnel and matériel effected pursuant to (a), (b) and (c);

(e) All troops and matériel from each area of assembly shall receive a final destination prior to the date of the elections.

Appendix 5

Border posts

1. Chimbuande
2. Necuto
3. Iema
4. Massabi
5. Miconge
6. Fubo
7. Noqui
8. Luvo
9. Buela
10. Quimbata
11. Beu Fiscal
12. Sacandica
13. Massau
14. Cuango
15. Quedas Franc. José
16. Zovo
17. Naumba
18. Chitato
19. Fucauma
20. Nordeste
21. Chiluage
22. Caianda
23. Gilme
24. Luau
25. Karipande
26. Mussuma
27. Mucusso
28. Buabuata
29. Calai
30. Dirico
31. Cuangar
32. Oichicango
33. Chitado
34. Chaundo
35. Marco 25
36. Rivungo
37. Foz do Cunene

Appendix 6

Military information to be exchanged between the Government of the People's Republic of Angola and UNITA

1. Personnel

- Troops and organization of the forces (land, sea and air)

2. Equipment and armaments

- Artillery
- Combat vehicles
- Air defence
- Aircraft
- Ships
- Support vehicles
- Light weapons
- Engineering equipment

3. Others

- Information of a logistical nature
- Civilian and military prisoners resulting from the conflict

Annex II

Sequence of tasks in the different phases of the cease-fire

Preliminary phase (1-15 May 1991)

1 May 1991

Government of the People's Republic of Angola and UNITA

Initialling of Cease-Fire Agreement

Cessation of hostile propaganda

Monitoring mechanism

Government/UNITA

United Nations

Formation process

Angolan Armed Forces

Observations

Appeal to the parties to exercise maximum restraint in their actions

15 May 1991

Government of the People's Republic of Angola and UNITA

Last day to inform Portuguese Government which country(ies) will provide assistance in formation of Armed Forces

Last day to notify Portuguese Government of acceptance of Cease-Fire Agreement

De facto suspension of hostilities (12 midnight, 15 May 1991)

Monitoring mechanism

Government/UNITA

United Nations

Formation process

Angolan Armed Forces

Observations

Phase I (15-29/31 May 1991)

(Signature and entry into force of Agreement)

15 May 1991

Government of the People's Republic of Angola and UNITA

Hostilities suspended since 12 midnight, 15 May

Commanders at all levels ensure that their troops stay in their positions and await orders

Offensive operations such as the following will not be conducted:

Military land or air reconnaissance and combat patrols within a 10-kilometre radius of their military bases

Overflight by combat aircraft or armed helicopters

Military operations against military, economic or civilian targets

Cessation of all military manoeuvres with the aim of placing weapons capable of endangering the security of towns and the economic, administrative and military infrastructures

Cessation of all acts of violence against the civilian population

Occupation of new positions

Monitoring mechanism

Government/UNITA

United Nations

Formation process

Angolan Armed Forces

Observations

15-31 May 1991

Government of the People's Republic of Angola and UNITA

29-31 May 1991

Government of the People's Republic of Angola and UNITA

Last day for the Government and UNITA to inform their forces about the areas of assembly

Monitoring mechanism

Government/UNITA

Prior to signature of agreement, members of CMVF and the monitoring groups will be appointed

United Nations

Formation process

Angolan Armed Forces

Prior to signature of Cease-Fire Agreement, members of CCFA will be appointed

Observations

29-31 May 1991

Government of the People's Republic of Angola and UNITA

Signature and immediate entry into force of Cease-Fire Agreement

Monitoring mechanism

Government/UNITA

United Nations

Formation process

Angolan Armed Forces

Observations

Cessation of supplies of lethal material to the Government of the People's Republic of Angola and UNITA

Phase II (31 May-30 June 1991)

(Implementation of the monitoring system)

31 May 1991

Government of the People's Republic of Angola and UNITA

Beginning of exchange of military information within the framework of CMVF

Beginning of process of releasing all civilian and military prisoners taken as a result of the conflict

Monitoring mechanism

Government/UNITA

Immediately after signature and entry into force of accord, CCPM and CMVF take office

The monitoring groups begin to travel to the predetermined sites

United Nations

Beginning of verification groups verification operations

Formation process

Angolan Armed Forces

Immediately after signature and entry into force of the cease-fire, CCFA takes office

Preparation of the plan for formation of the Angolan Armed Forces, within the framework of CCFA

Observations

15 June 1991

Government of the People's Republic of Angola and UNITA

Monitoring mechanism

Government/UNITA

The monitoring groups conclude their establishment at the predetermined sites and notify CMVF that they are operational

United Nations

Formation process

Angolan Armed Forces

Observations

30 June 1991

Government of the People's Republic of Angola and UNITA

Last day for the parties to communicate to the verification groups and the monitoring groups the timetable and schedules for movement of their forces to the areas of assembly and border posts

Monitoring mechanism

Government/UNITA

United Nations

Completion of the installation of the United Nations verification system

Formation process

Angolan Armed Forces

Observations

Phase III (1 July-1 August 1991)

(Transfer of forces)

1 July 1991

Government of the People's Republic of Angola and UNITA

Beginning of movement of forces to areas of assembly and border posts

Beginning of border control operations at border posts

Monitoring mechanism

Government/UNITA

Beginning of monitoring operations by the monitoring groups

United Nations

Formation process

Angolan Armed Forces

Observations

1 July-1 August 1991

Government of the People's Republic of Angola and UNITA

Monitoring mechanism

Government/UNITA

The monitoring groups inform CMVF of movement to each area of assembly and border posts

United Nations

Formation process

Angolan Armed Forces

Observations

1 August 1991

Government of the People's Republic of Angola and UNITA

Last day to conclude movement of forces to areas of assembly and border posts

Monitoring mechanism

Government/UNITA

United Nations

Formation process

Angolan Armed Forces

Observations

Phase IV (1 August 1991-date of elections)

(Verification and monitoring of agreement)

1 August 1991

Government of the People's Republic of Angola and UNITA

The parties report to the monitoring bodies regarding personnel to be demobilized

The parties report to the monitoring bodies regarding material to be delivered to storehouses

Replacement of FAPLA and FALA platoons at border posts by forces to be determined by the parties

Monitoring mechanism

Government/UNITA

United Nations

Formation process

Angolan Armed Forces

The parties report to the monitoring bodies regarding the personnel and material from each area of assembly intended for the process of formation of the Angolan Armed Forces as a result of general directives from CCFA

Movement of personnel and material from areas of assembly to centres for formation of the Angolan Armed Forces being monitored by the monitoring groups

Observations

Date of general elections

Government of the People's Republic of Angola and UNITA

Last day for abolition of FAPLA and FALA

Monitoring mechanism

Government/UNITA

Last day for closing the areas of assembly

Abolition of bodies for verification and monitoring of the cease-fire

United Nations

Formation process

Angolan Armed Forces

**Last day for concluding the process of formation of the Angolan
Armed Forces**

Abolition of CCFA

Observations